

Ball valve, 2-part design

Serie 340

1/4" - 2" / PN40-PN30



Brass ball valve, 2-parts, threaded connection, full bore.

Thread connection acc. ISO 228/1.

Aluminium hand lever with body stop.

Shaft seal: 2x O-Ring, ball seat: PTFE.

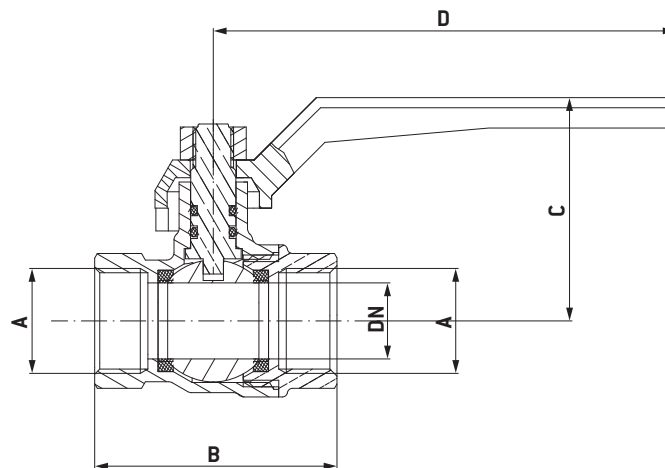
Casing made of brass.

Ball material: brass, chrome-plated, floating ball design, bidirectional.

Full, free bore, provides a good flow characteristic.

Operating temperature: -10°C to +95°C (depends on pressure).

Dimensional drawing



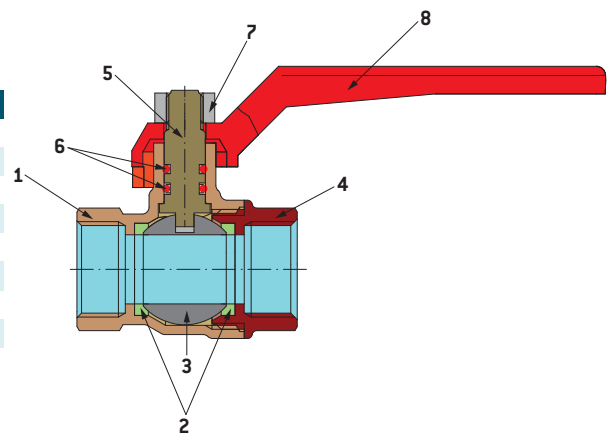
DN	A	B	C	D	PN
8	1/4"	38,8	39	92	40
10	3/8"	38,8	39	92	40
15	1/2"	49	45	92	40
20	3/4"	55	49	92	40
25	1"	65	56	115	40
32	1 1/4"	77	69	125	30
40	1 1/2"	90	80	150	30
50	2"	104	87	150	30



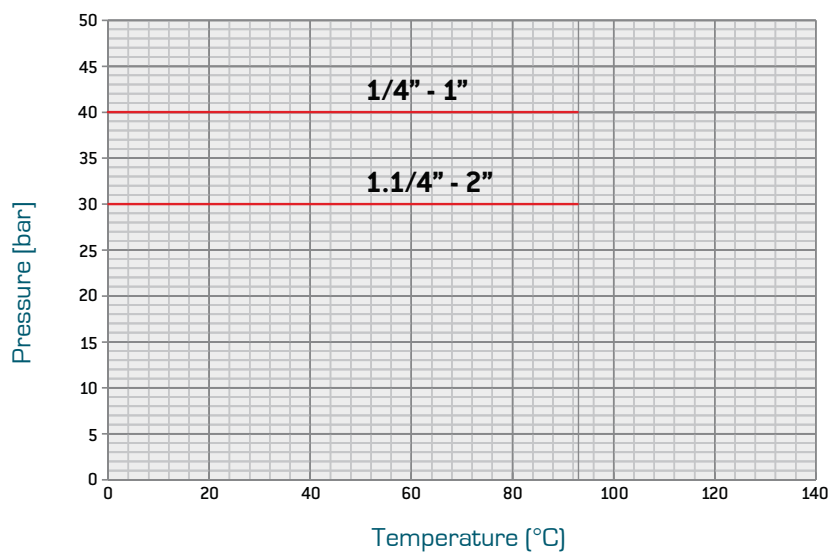
Ball valve, 2-part design Serie 340

Bill of material

Item Nr.	Discription	Material
1	Casing	CW617N UNI-EN 12165 / Nickel-plated
2	Seat ring	PTFE
3	Ball	CW617N UNI-EN 12165 / Chrome-plated
4	End connection	CW617N UNI-EN 12165 / Nickel-plated
5	Stem	CW614N UNI-EN 12164
6	O-Ring	NBR
7	Nut	Galvanised iron
8	Lever	Alumimium, coated



Pressure-Temperature Diagramm



Technical specifications subject to change without notice.