



Ball Valve TECVAL

Typ VB-14

2-Way 3-Pieces Reduced Bore Ball Valve (FxF) Up to 210 bar (3000 PSI)



With a smooth and safe movement, VB-14 TECVAL ball valve is designed to work with liquids or gases under either high pressure or moderate vacuum service. To be used in numerous applications, they are manufactured in several sizes, connections and alloys.



Features

- Quarter-turn actuation.
- Three pieces to allow a full disassembling.
- Smooth operating.
- Easy cleaning and maintenance.
- No ejectable stem design.
- Anti-leak stem with double o-ring seal.
- 100% tested.

Options

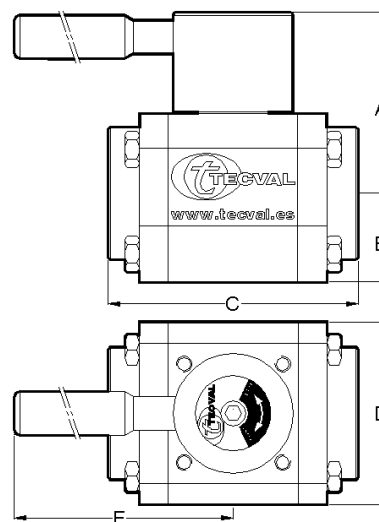
- AISI-316 Handle. **M**
- Automation through electrical actuator. **A**
- Special seats for high pressures, up to 1" size. **I**
- Degreased for oxygen service. **D**
- Automation through pneumatic actuator. **H**
- Prepared for a quick automation (ISO 5211). **T**
- Flanged Ends. **B**

Technical data

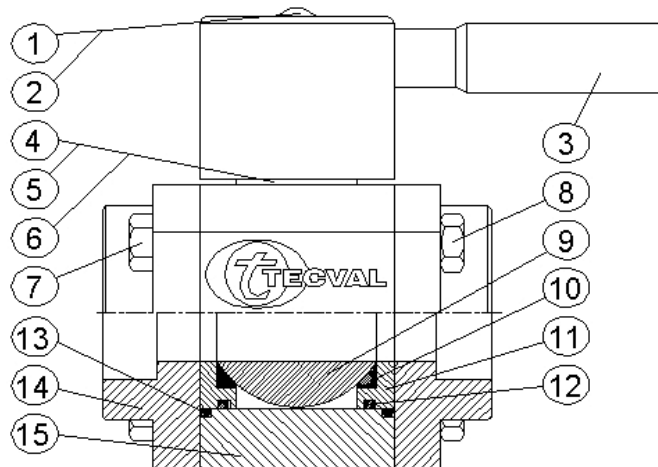
Max. Pressure	Standard PTFE Seats 105 bar (1500 PSI) Up to 1" Option Special Seats 210 bar (3000 PSI)						
Temperatures	-20°C/200°C (-4°F/392°F)						
Dimensions	1/2"	3/4"	1"	1 1/4"	1 1/2"	2"	2 1/2"
A	55	57	60	75	82	101	107
B	25	27	30	37	48	55	68
C	80	85	90	100	125	135	150
D	50	54	59	74	92	110	130
E	105	105	105	135	135	190	190
Orifice Size	12	15	20	25	32	40	50
Maximum Cv	9	18	29	40	85	120	160

Order codes

BSP	3708	3712	3716	3720	3724	3728	3732
NPT	3709	3713	3717	3721	3725	3729	3733
SW	3710	3714	3718	3722	3726	3730	3734
BW	3711	3715	3719	3723	3727	3731	3735



* Dimensions in mm



Materials

Nº	Part	Carbon Steel AC	Stainless Steel AISI-316 A4	Special Alloys
1	Set screw	AISI-304 (DIN1.4301)	AISI-304 (DIN1.4301)	AISI-316 (DIN1.4401)
2	Id. plate	PVC	PVC	PVC
3	Handle	Black painted aluminium	Black painted aluminium	Black painted aluminium
4	Stem	AISI-316 (DIN1.4401)	AISI-316 (DIN1.4401)	Exotic alloy
5	Stem o-ring	FPM	FPM	FPM
6	Stem bearing	Delrin	Delrin	Delrin
7	Screw	Carbon Steel	AISI-304 (DIN1.4301)	AISI-316 (DIN1.4401)
8	Nut	Carbon Steel	AISI-304 (DIN1.4301)	AISI-316 (DIN1.4401)
9	Ball	AISI-316 (DIN1.4401)	AISI-316 (DIN1.4401)	Exotic alloy
10	Seat	P.T.F.E.	P.T.F.E.	P.T.F.E.
11	Seat carrier	Carbon Steel	AISI-316 (DIN1.4401)	Exotic alloy
12	Seat o-ring	FPM	FPM	FPM
13	Body o-ring	FPM	FPM	FPM
14	End connection	Carbon Steel	AISI-316 (DIN1.4401)	Exotic alloy
15	Body	Carbon Steel	AISI-316 (DIN1.4401)	Exotic alloy

Special alloys

Among the wide range of alloys existing, TECVAL has selected those considered by our customers as most suitable, which we stock to ensure a quick and effective supply. Whether you do not find the required alloy or need further information about our exotic alloys valves and fittings, please address your inquiry to our Technical Department.

AISI-316Ti (1.4571) **A6**, AISI-904L (1.4539) **A9**, Duplex (1.4462) **AD**, SuperDuplex (1.4410/1.4501) **AS**, 254-SMO (1.4547) **AV**, Titanium Gr.2 (1.7864) **TI**, Hastelloy C-276 (2.4819) **HA**

Ordering information

References are formed by three parts:

Valve Code

Look for it in the order codes chart on the previous page.

Option/s

-If required, add the code/s from the options section on the previous page (in alphabetical order)

Material

-Look for the code on the materials chart.

An example of valve and two options: Ball valve VB-14 1/2"NPT with AISI-316 handle and degreased of AISI-316:

3709 DM A4 The reference required to place the order is **3709DM4**

Subject to changes without notice

Actuators

Upon request, ball valves VB-14 can be delivered with pneumatic actuators, either double acting or spring return. The actuators can be worked by standardised or bottled air. Electrical actuators of 24V, 115V and 230V can also be assembled.

All actuators can include limit switches, electrovalves and an emergency wheel, and are assembled and tested with the valve.

Tests

According to API STANDARD 598, each valve is tested with nitrogen at 100 bar for 15 sec to check the leakage in the seat and packing. Upon request, the corresponding materials and test certificates can be delivered with the valve.

Packaging

All TECVAL valves are supplied packed in individual polyethylene airtight bags, which include the general features of the valve. End screw connections are protected with polyethylene caps. Everything is 100% recyclable.