

Ball Valve TECVAL

Typ VB-15



2-Way 3-Pieces Full Bore Ball Valve (FxF) Up to 210 bar (3000 PSI)

With a smooth and safe movement, VB-15 TECVAL full bore ball valve is designed to work with liquids or gases under either high pressure or moderate vacuum service. To be used in numerous applications, they are manufactured in several sizes, connections and alloys.



Features

- Full Bore.
- Three pieces to allow a full disassembling.
- Smooth operating.
- Easy cleaning and maintenance.
- No ejectable stem design.
- Anti-leak stem with double o-ring seal.
- 100% tested.

Options

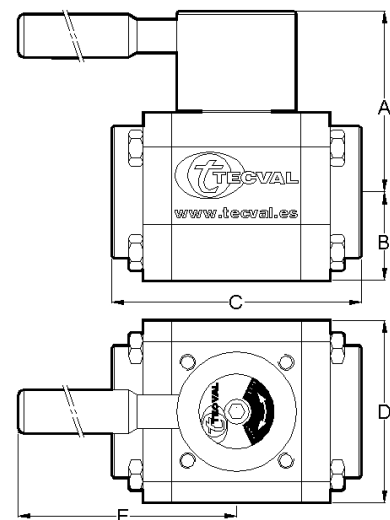
- Automation through electrical actuator. **A**
- AISI-316 Handle. **M**
- Special seats for high pressures, up to 1" size. **I**
- Degreased for oxygen service. **D**
- Automation through pneumatic actuator. **H**
- Prepared for a quick automation (ISO 5211). **T**
- Flanged Connections. **B**

Technical data

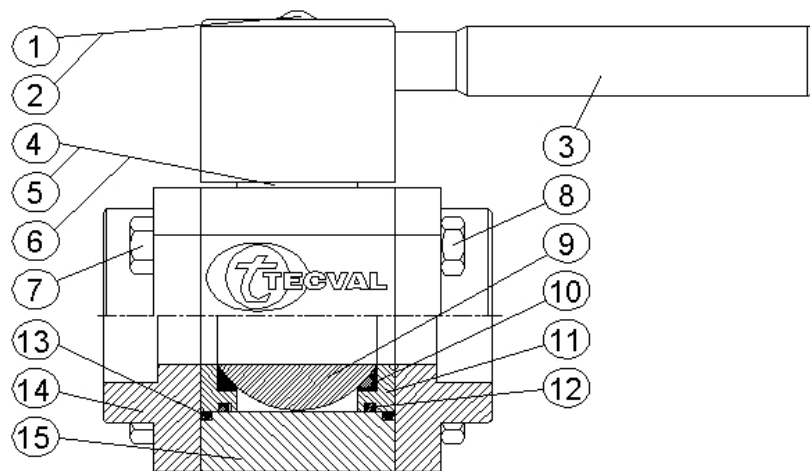
| | | | | | | | |
|---------------|--|------|------|-----|--------|--------|-----|
| Max. Pressure | Standard PTFE Seats 105 bar (1500 PSI) Up to 1" Option Special Seats 210 bar (3000 PSI) | | | | | | |
| Temperatures | -20°C/200°C (-4°F/392°F) | | | | | | |
| Dimensions | 3/8" | 1/2" | 3/4" | 1" | 1 1/4" | 1 1/2" | 2" |
| A | 55 | 57 | 60 | 75 | 82 | 101 | 107 |
| B | 25 | 27 | 30 | 37 | 48 | 55 | 68 |
| C | 80 | 85 | 90 | 100 | 125 | 125 | 150 |
| D | 50 | 54 | 59 | 74 | 92 | 110 | 130 |
| E | 105 | 105 | 105 | 140 | 140 | 190 | 190 |
| Orifice Size | 12 | 15 | 20 | 25 | 32 | 40 | 50 |
| Maximum Cv | 9 | 18 | 29 | 40 | 85 | 120 | 160 |

Order codes

| | | | | | | | |
|-----|------|------|------|------|------|------|------|
| BSP | 3904 | 3908 | 3912 | 3916 | 3900 | 3920 | 3924 |
| NPT | 3905 | 3909 | 3913 | 3917 | 3901 | 3921 | 3925 |
| SW | 3906 | 3910 | 3914 | 3918 | 3902 | 3922 | 3926 |
| BW | 3907 | 3911 | 3915 | 3919 | 3903 | 3923 | 3927 |



* Dimensions in mm



Materials

| Nº | Part | Carbon Steel AC | Stainless Steel AISI-316 A4 | Special Alloys |
|----|----------------|-------------------------|------------------------------------|-------------------------|
| 1 | Set screw | AISI-304 (DIN1.4301) | AISI-304 (DIN1.4301) | AISI-316 (DIN1.4401) |
| 2 | Id. plate | PVC | PVC | PVC |
| 3 | Handle | Black painted aluminium | Black painted aluminium | Black painted aluminium |
| 4 | Stem | AISI-316 (DIN1.4401) | AISI-316 (DIN1.4401) | Special alloy |
| 5 | Stem o-ring | FPM | FPM | FPM |
| 6 | Stem bearing | Delrin | Delrin | Delrin |
| 7 | Screw | Carbon Steel | AISI-304 (DIN1.4301) | AISI-316 (DIN1.4401) |
| 8 | Nut | Carbon Steel | AISI-304 (DIN1.4301) | AISI-316 (DIN1.4401) |
| 9 | Ball | AISI-316 (DIN1.4401) | AISI-316 (DIN1.4401) | Special alloy |
| 10 | Seat | P.T.F.E. | P.T.F.E. | P.T.F.E. |
| 11 | Seat carrier | Carbon Steel | AISI-316 (DIN1.4401) | Special alloy |
| 12 | Seat o-ring | FPM | FPM | FPM |
| 13 | Body o-ring | FPM | FPM | FPM |
| 14 | End connection | Carbon Steel | AISI-316 (DIN1.4401) | Special alloy |
| 15 | Body | Carbon Steel | AISI-316 (DIN1.4401) | Special alloy |

Special alloys

Among the wide range of alloys existing, TECVAL has selected those considered by our customers as most suitable, which we stock to ensure a quick and effective supply. Whether you do not find the required alloy or need further information about our exotic alloys valves and fittings, please address your inquiry to our Technical Department.

AISI-316Ti (1.4571) **A6**, AISI-904L (1.4539) **A9**, Duplex (1.4462) **AD**, SuperDuplex (1.4410/1.4501) **AS**, 254-SMO (1.4547) **AV**, Titanium Gr.2 (1.7864) **TI**, Hastelloy C-276 (2.4819) **HA**

Ordering information

References are formed by three parts:

Valve Code

Look for it in the order codes chart on the previous page.

Option/s

-If required, add the code/s from the options section on the previous page (in alphabetical order)

Material

-Look for the code on the materials chart.

An example of valve and two options: Ball valve VB-15 1/2"SW with AISI-316 handle and PEEK seats of SuperDuplex:

3910 IM AS The reference required to place the order is **3910IMAS**

Subject to changes without notice

2/2

Actuators

Upon request, ball valves VB-15 can be delivered with pneumatic actuators, either double acting or spring return. The actuators can be worked by standardised or bottled air. Electrical actuators of 24V, 115V and 230V can also be assembled.

All actuators can include limit switches, electrovalves and a emergency wheel, and are assembled and tested with the valve.

Tests

According to API STANDARD 598, each valve is tested with nitrogen at 100 bar for 15 sec to check the leakage in the seat and packing. Upon request, the corresponding materials and test certificates can be delivered with the valve.

Packaging

All TECVAL valves are supplied packed in individual polyethylene airtight bags, which include the general features of the valve. End screw connections are protected with polyethylene caps. Everything is 100% recyclable.