



# Ball Valve TECVAL

## Typ VB-60



### 2-Way 3-Pieces Full(FB) or Reduced(RB) Bore Floating Ball Valve Up to 100 bar (1500 PSI)

With a smooth and safe movement, VB-60 TECVAL floating ball valve is designed to work with liquids under either high pressure or moderate vacuum service. To be used in numerous applications, they are manufactured in several sizes, connections and alloys.



#### Features

- Floating ball.
- Quarter-turn actuation.
- Three pieces to allow a full disassembling.
- (FB) - Full Bore or (RB) - Reduced Bore.
- Smooth operating.
- Easy cleaning and maintenance.
- No ejectable stem design.
- Anti-leak stem with double o-ring seal.
- 100% tested.

#### Options

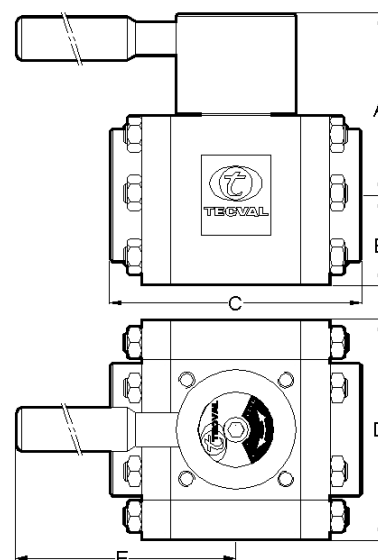
- AISI-316 Handle. **M**
- O-ring seals available in several materials.
- Automation through electrical actuator. **A**
- Automation through pneumatic actuator. **H**
- Prepared for a quick automation (ISO 5211). **T**
- Flanged DIN or ANSI Connections. **B**

#### Technical data

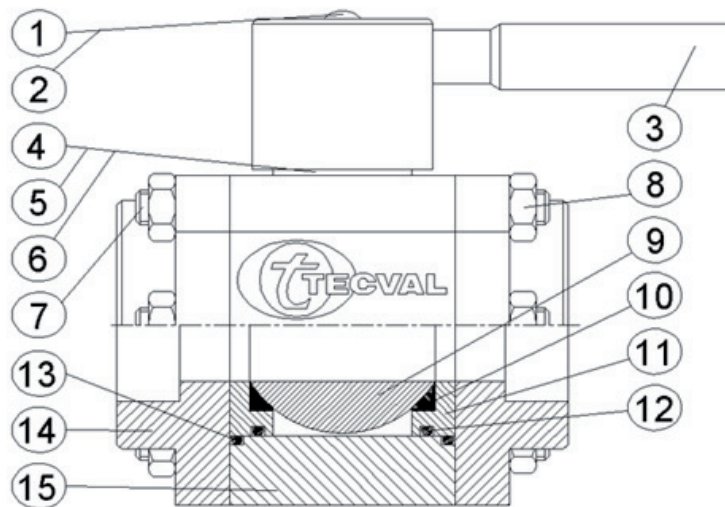
Max. Pressure	Up to 100 bar (1500 PSI)				
Temperatures	-20°C/200°C (-4°F/392°F)				
Dimensions	2 1/2"(FB)	3"(RB)	3"(FB)	4"(RB)	4"(FB)
A	160	160	175	175	190
B	80	80	100	100	110
C	200	200	230	230	265
D	165	165	200	200	230
E	400	400	400	400	500
Orifice Size	65	65	80	80	100
Maximum Cv	210	210	320	320	600

#### Order codes

SW	2500	2505	2510	2515	2520
BW	2501	2506	2511	2516	2521
BSP	2502	2507	2512	2517	2522
NPT	2503	2508	2513	2518	2523



\* Dimensions in mm



## Materials

Nº	Part	Stainless Steel AISI-316 <b>A4</b>	Special Alloys
1	Set screw	AISI-304 (DIN1.4301)	AISI-316 (DIN1.4401)
2	Id. plate	Aluminium	Aluminium
3	Handle	Black painted aluminium	Black painted aluminium
4	Stem	AISI-316 (DIN1.4401)	Exotic alloy
5	Stem o-ring	FPM	FPM
6	Stem bearing	Delrin	Delrin
7	Stud	AISI-304 (DIN1.4301)	AISI-316 (DIN1.4401)
8	Nut	AISI-304 (DIN1.4301)	AISI-316 (DIN1.4401)
9	Ball	AISI-316 (DIN1.4401)	Exotic alloy
10	Seat	P.T.F.E.	P.T.F.E.
11	Seat carrier	AISI-316 (DIN1.4401)	Exotic alloy
12	Seat o-ring	FPM	FPM
13	Body o-ring	FPM	FPM
14	End connection	AISI-316 (DIN1.4401)	Exotic alloy
15	Body	AISI-316 (DIN1.4401)	Exotic alloy

## Special alloys

Among the wide range of alloys existing, TECVAL has selected those considered by our customers as most suitable, which we stock to ensure a quick and effective supply. Whether you do not find the required alloy or need further information about our exotic alloys valves and fittings, please address your inquiry to our Technical Department.

AISI-316Ti (1.4571) **A6**, AISI-904L (1.4539) **A9**, Duplex (1.4462) **AD**, SuperDuplex (1.4410/1.4501) **AS**, 254-SMO (1.4547) **AV**, Titanium Gr.2 (1.7864) **TI**, Hastelloy C-276 (2.4819) **HA**

## Ordering information

References are formed by three parts:

### Valve Code

Look for it in the order codes chart on the previous page.

### Option/s

-If required, add the code/s from the options section on the previous page (in alphabetical order)

### Material

-Look for the code on the materials chart.

An example of valve and one option: Full Bore Floating Ball Valve VB-60 3"SW with pneumatic actuator of AISI-316:

**2510 H A4** The reference required to place the order is 2510HA4

## Actuators

Upon request, ball valves VB-60 can be delivered with pneumatic actuators, either double acting or spring return. The actuators can be worked by standardised or bottled air. Electrical actuators of 24V, 115V and 230V can also be assembled.

All actuators can include limit switches, electrovalves and an emergency wheel, and are assembled and tested with the valve.

## Tests

Each valve is tested according to API STANDARD 598, to check the leakage in the seat and packing. Upon request, the corresponding materials and test certificates can be delivered with the valve.

## Packaging

All TECVAL valves are supplied packed in individual polyethylene airtight bags. End screw connections are protected with polyethylene caps. Everything is 100% recyclable.